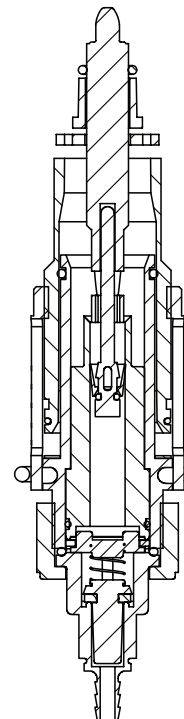
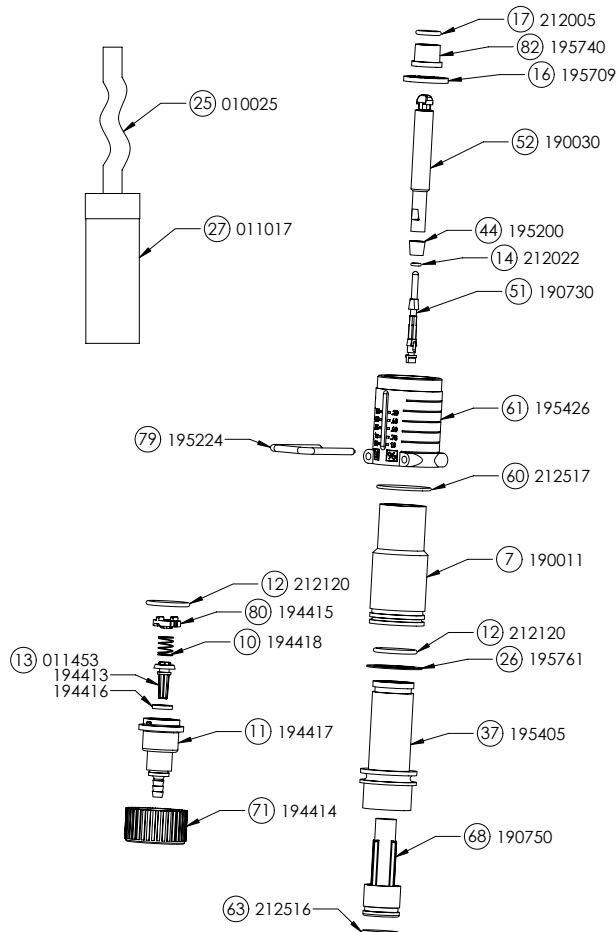


Lower end injector & wear parts kits 1%:

Kit A - Wear Parts Kit (dosage piston, O-ring)	011071V	14, 17, 44, 51
Kit C - Wear Parts Kit (Kit A, inner cylinder, O-ring)	011072V	14, 17, 44, 51, 63, 68
Kit D - Suction Tube Fitting Assy (poppet, O-ring, spring, fitting)	011046V	10, 11, 12, 13, 80
Kit E - Wear Parts Kit (Kits C & D, upper shaft)	011073V	10, 11, 12, 13, 14, 16, 17, 44, 51, 52, 63, 68, 80
Kit G - Lower End Cylinder Kit (Kit E, outer cylinder, ratio adjuster, O-rings, pin, filter, solution tube)	011068V	7, 10, 11, 12, 13, 14, 16, 17, 25, 26, 27, 37, 44, 51, 52, 60, 61, 63, 68, 71, 79, 80, 82
Kit H - Motor Piston Assy	011662S	9, 20, 21
Kit I - Remote Injection Kit	011762 (Viton) 011764 (EPDM)	Not Shown
Kit M - Mounting Bracket Kit (mounting bracket, 2 pins)	011732	54, 55

Manual Reference	Part #	Description of Part
7	190011	Cylinder, Outer
10	194418H	Spring
11	194417	Suction Tube Fitting
12	212120 *Must specify material	O-ring
13	011453A	Check Poppet W/Washer
14	212022 *Must specify material	O-ring
16	195709	Gasket
17	212005 *Must specify material	O-ring
25	010025	Suction Tube, 1/4" X 5'
26	195761	Anti Lock Gasket
27	011017	Filter For Suction Tube, 1/4" Id
37	195405	Inner Cylinder
44	195200	Dosage Piston
51	190730	Shaft, Lower
52	190030	Shaft, Upper
60	212517W	O-ring
61	195426	Ratio Adjuster
63	212516 *Must specify material	O-ring, Inner Cylinder
68	190750	Inner Cylinder For #37
71	194414	Nut, Suction Tube Fitting
79	195224	Interlock Pin
80	194415	Twistlock
82	195740	Shaft Seal Spacer



Lower End Assembly