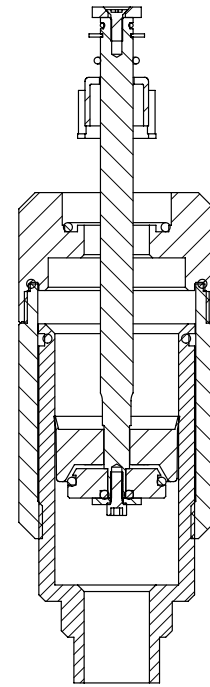
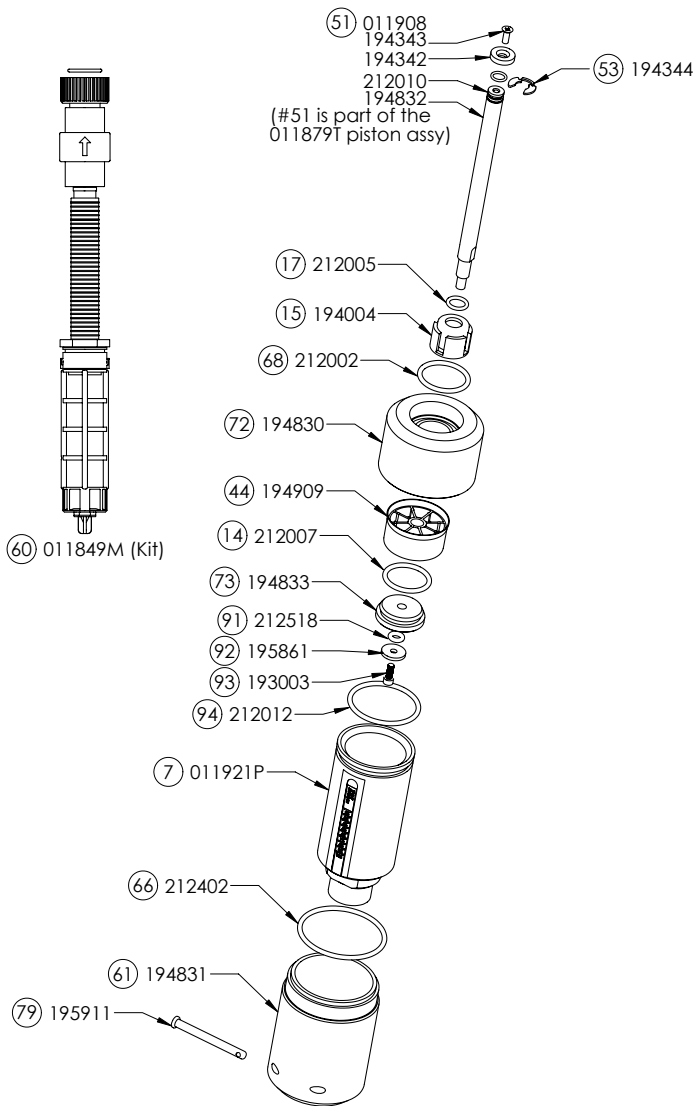


# Lower end injector & wear parts kits 10%:

English

Kit A - Wear Parts Kit (Dosage Piston, O-rings)	011138	14, 17, 44
Kit B - Wear Parts Kit (Hose kit)	011849M	60
Kit C - Wear Parts Kit (Kit A, O-ring)	011107	14, 17, 44, 91
Kit H - Motor Piston Assy	011879T	9, 21
Kit M - Mounting Bracket Kit (mounting bracket, 4 hex caps & nuts)	011432	56, 57, 58

Manual Reference	Part #	Description of Part
7	011921P	Cylinder, Inner
14	212007 *Must specify material	O-ring, Dosage Piston Guide
15	194004	Seal Retainer, O-ring
17	212005 *Must specify material	O-ring
44	194909	Dosage Piston
51	011908	Shaft Assembly, Stainless Steel
53	194344	Klipring
61	194831	Ratio Adjuster
66	212402 *Must specify material	O-ring, Outer Cylinder, Lower End
68	212002 *Must specify material	O-ring, Cylinder Adapter, Lower End
72	194830	Adapter
73	194833	Dosage Piston Guide
79	195911	Ratio Locking Pin
93	193003	Capscrew 10-32 X 1/2" Ss Hex
92	195861	Shaft Cap
94	212012 *Must specify material	O-ring, Outer Cylinder
91	212518 *Must specify material	O-ring, Dosage Piston Guide
60	011849M	Hose Kit



Lower End Assembly