



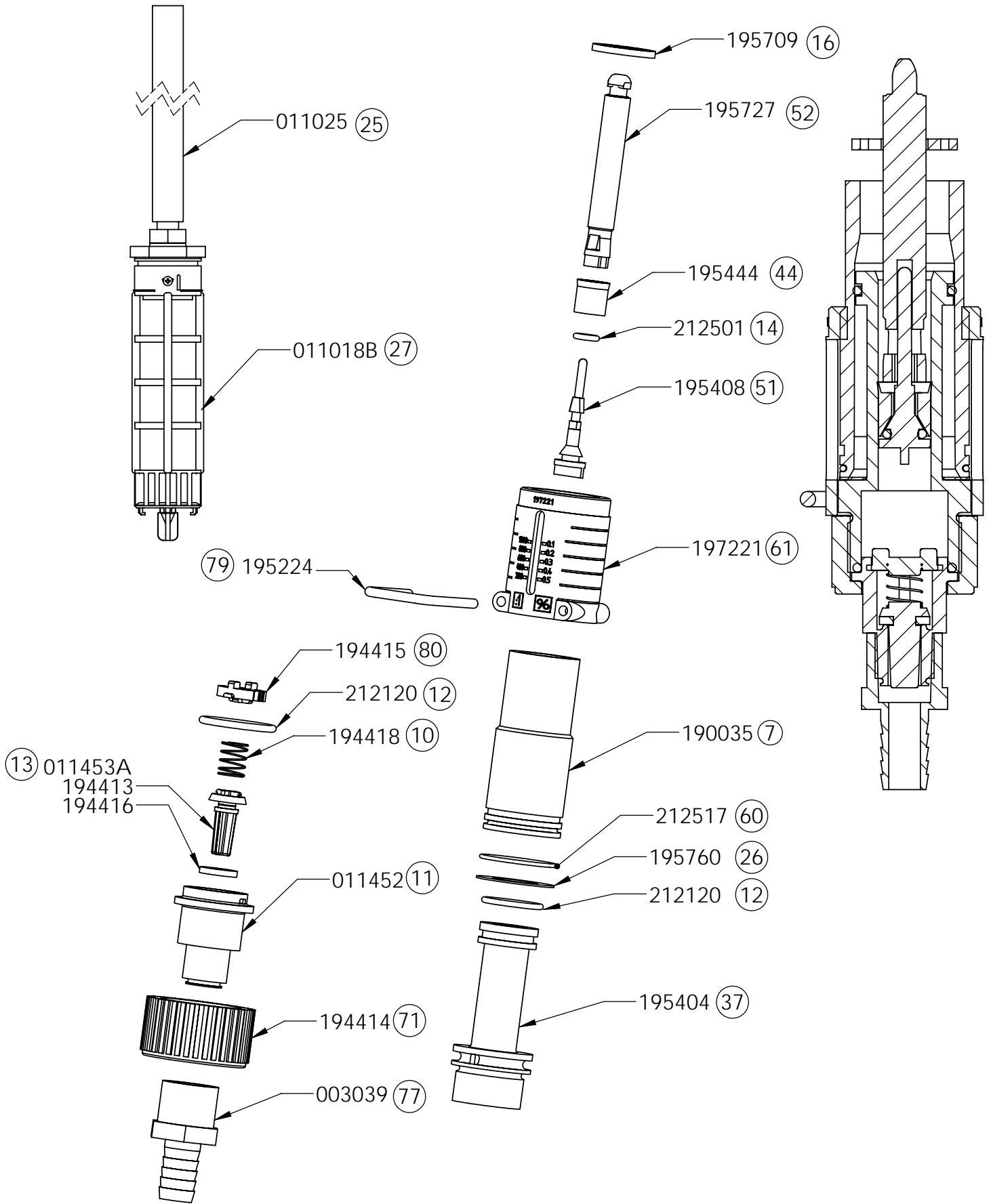
DOSMATIC U.S.A./INTERNATIONAL, INC.
 1230 Crowley Circle • Carrollton, Texas 75006 U.S.A.
 Phone: (972) 245-9765 • Fax: (972) 245-9000
 Toll Free: (800) 344-6767
 www.dosmatic.com

**ISO 9001:2000 Registered
 Quality Management System**

**KITS AND PARTS PRICE LIST
 TurboDos 100 0.5% (Single = PN 114151P, Dual = PN 114152P)**

Description of Kit		Part #	Manual Reference
Kit A – Wear Parts Kit (dosage piston, oring)		011910	14, 44
Kit B – Wear Parts Kit (Kit A, inner cylinder, shaft)		011095	12, 14, 26, 37, 44, 51, 52
Kit C – Wear Parts Kit (Kit A, inner cylinder, oring)		011912B	7, 12, 14, 37, 44, 51, 52, 60
Kit D – Suction Tube Fitting Assy (poppet, nut, washer, oring, spring, fitting)		011462L	10, 11, 12, 13, 71, 77, 80
Kit F – Lower End Cylinder Kit (Kit E, outer cylinder, ratio adjuster, oring, clip, pin, retainer, filter, solution tube)		011096	7, 10, 11, 12, 13, 14, 16, 26, 37, 44, 52, 51, 60, 61, 63, 68, 71, 77, 79, 80

Manual Reference	Part #	Description of Part
7	190035	Cylinder, inner
10	194418H	Spring
11	011452	Fitting, suction tube
12	212120V	O-ring
13	011453A	Poppet, check w/washer
14	212501V	O-ring
16	195709	Gasket
22	005070	1/2" Brass Barb NPTF
24	003065S	1/2" Clamp
25	011025	Suction tube, 1/2" x 5'
26	195760	Anti Lock Gasket
27	011018B	Turbo Filter
28	005091	1/2" Female Adapter FIPT x Insert
29	008050	Braided Hose, 1/2" x 1'
30	197095	1/4 x 2 Hex Nut SS
33	197502	1/4-20 SHC Screw 3" SS
34	197094	1/4-20 SHC Screw 1" SS
35	197501	1/4-20 SHC Screw 2.5" SS
36	197500	1/4-20 SHC Screw 2" SS
37	195404	Inner Cylinder
44	195444	Dosage Piston
51	195408	Shaft, lower
52	195727	Shaft, upper
60	212517W	Oring
61	197221	Ratio adjustment sleeve
71	194414	Nut, suction tube fitting
77	003039	Hose Barb 1/2" x 3/8"
79	195224	Pin, narrow interlock
80	194415	Twistlock



29

008050
011923 Diesel

005070 TurboDos 100 22

003100 TurboDos 200 40

005011 TurboDos 200 41

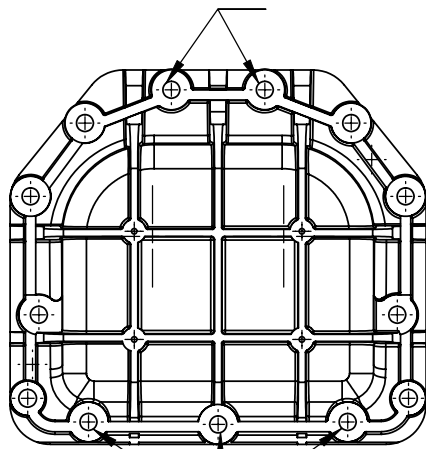
003065S 24

34 197094

30 197095

005091 28

197505 2.25" Length 38



42 All Others
197506 1.5" Length

38 197505 2.25" Length